

Product data sheet

Specifications



photo-electric sensor - XUK - diffuse
- Sn 1m - 12..24VDC - cable 5m

XUK5ANBNL5

⚠ Discontinued

Main

Range of product	Telemecanique Photoelectric sensors XU
Series name	General purpose single mode
Electronic sensor type	Photo-electric sensor
Sensor name	XUK
Sensor design	Compact 50 x 50
Detection system	Diffuse
Material	Plastic
Type of output signal	Discrete
Supply circuit type	DC
Wiring technique	3-wire
Discrete output type	NPN
Discrete output function	1 NC
Electrical connection	Cable
Cable length	5 m
Product specific application	-
Emission	Infrared diffuse
[Sn] nominal sensing distance	1 m diffuse

Complementary

Enclosure material	PBT
Lens material	PMMA
Maximum sensing distance	1.5 m diffuse
Output type	Solid state
Wire insulation material	PVC
Status LED	1 LED (yellow) for output state
[Us] rated supply voltage	12...24 V DC
Switching capacity in mA	<= 100 mA (overload and short-circuit protection)
Switching frequency	<= 250 Hz

Disclaimer: This documentation is not intended as a substitute for and is not to be used for determining suitability or reliability of these products for specific user applications

Maximum voltage drop	<1.5 V (closed state)
Current consumption	<= 35 mA no-load
Maximum delay first up	15 ms
Maximum delay response	2 ms
Maximum delay recovery	2 ms
Setting-up	Without sensitivity adjustment
Depth	50 mm
Height	50 mm
Width	18 mm
Net weight	0.19 kg

Environment

Product certifications	CSA UL CE
Ambient air temperature for operation	-25...55 °C
Ambient air temperature for storage	-40...70 °C
Vibration resistance	7 gn, amplitude = +/- 1.5 mm (f = 10...55 Hz) conforming to IEC 60068-2-6
Shock resistance	30 gn (duration = 11 ms) conforming to IEC 60068-2-27
IP degree of protection	IP65 double insulation conforming to IEC 60529

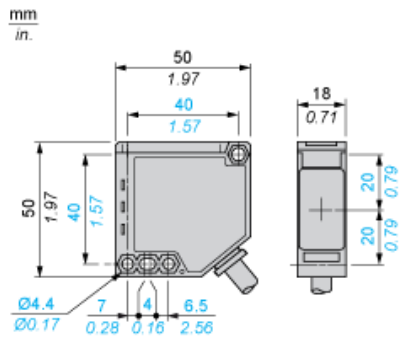
Packing Units

Package 1 Weight	0.300 kg
Package 1 Height	1.300 dm
Package 1 width	0.850 dm
Package 1 Length	1.200 dm

Contractual warranty

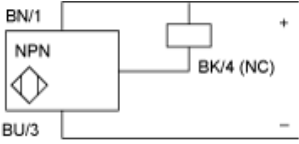
Warranty	18 months
-----------------	-----------

Dimensions



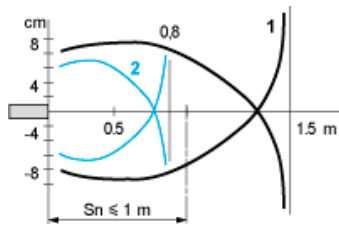
Wiring Schemes

NPN Outputs



- BN :** Brown
- BU :** Blue
- BK :** Black

Detection Curves



1 : White 90%
2 : Grey 18%

Object 10 x 10 cm

Recommended replacement(s)

XUK5ANBNL5 is replaced by the following group of products:

1x



Photoelectric sensors XU, XUK, diffuse, Sn 1 m, 12...24 VDC, M12
XUK5ANBNM12

1x



Pre wired connectors XZ, elbowed female, M12, 4 pins, cable PUR 5 m
XZCP1241L5